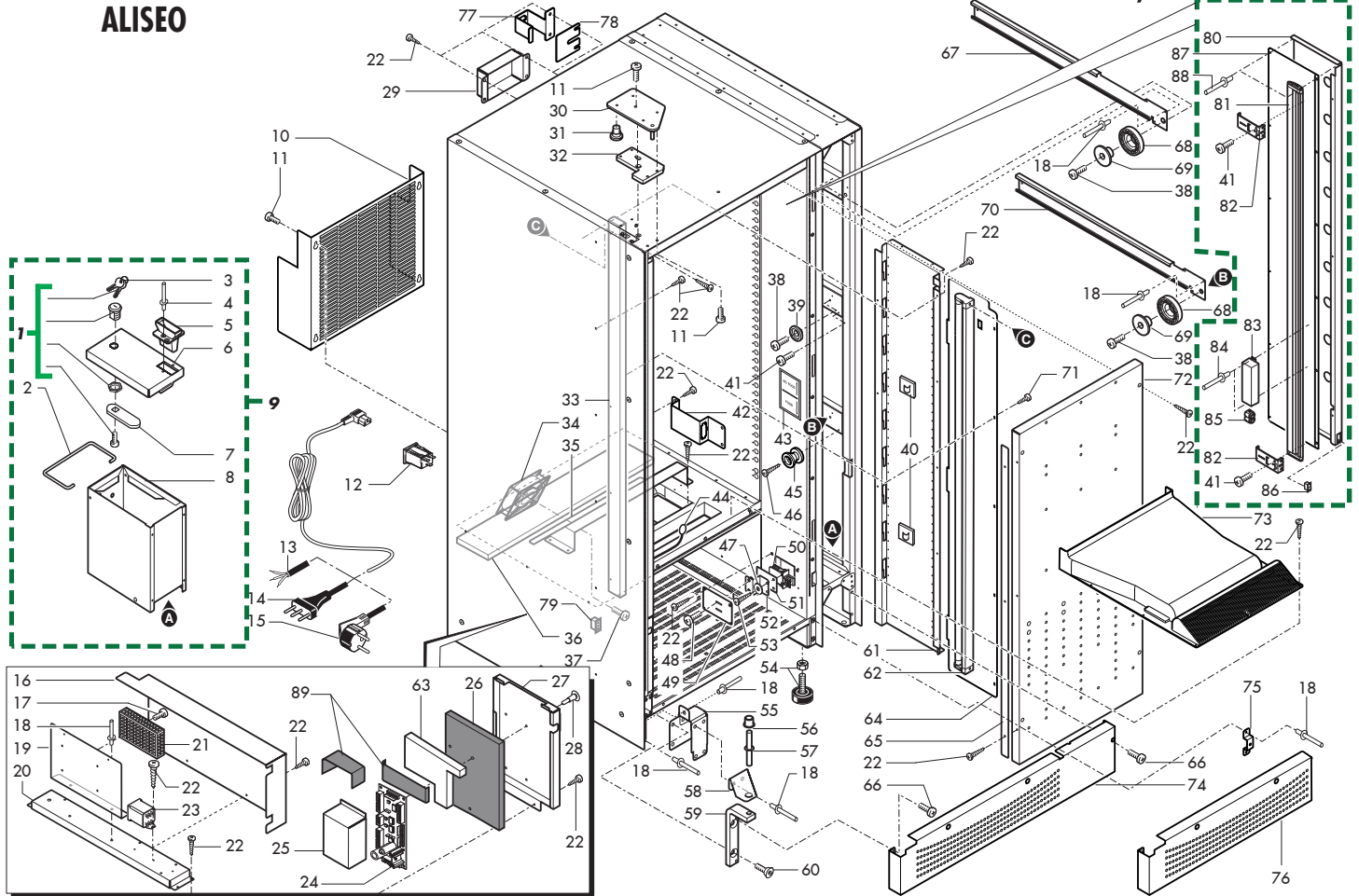


Pos. Code	Description	Note
1	20006881	Space Parts Seal Push Aliseo
2	11012353	Cofortura X Motore Sport.Push New Snack
3	U109.003	Screw Tcb 3,5X9,5 Din 7981 C Nick
4	11010462	forno Cerniera Sport.Push New Snack 8S
5	0875.312	Spring X Products Collection Space
6	11010461	Lamiera Fissaggio Cerniera Traversino Sx
7	U109.016	Screw Aut.Tcb 3,9X13 Din 7981 C
8	U701.011	Steel Snap Ring 5 Uni 7434
9	11010976	Bush For Push Door New Snack
10	11010448	Guarnizione Magnet. X Porta New Snack 8S
11	11010721	Controporta New Snack 8S
12	11013683	Resistenza Zona Push New Snack
13	11010460	Fixing Sheet Metal Hinge Crosspiece Rx
14	11010439	Lamiera Cerniera Sport.Push New Snack
15	U110.003	Screw Aut.Tcb 3,5X9,5 Din 7981 F
16	11010436	Inside Push Door New Snack 8S
17	11010437	Isolante X Sportello Push New Snack 8S
18	11010435	Sportello Push Esterno New Snack 8S
19	12000962	Multigrip Rivets 4.8X11
20	11010977	Space Lock Lever New Snack
21	11010465	Asta Serratura New Snack
22	11030251	Loom Door Aliseo
22	20006879	Space Parts Aliseo Door
23	11010978	Supp.External Upfor Panel New Snack 8S
24	11010720	Cofortura Serratura New Snak
25	U324.004	Nut M6 Flanged Indented Base
26	11010466	Asta Rimando Serratura New Snack
27	U127.005	Screw Tapt.Tcb M4,0X8 Din 7500C
28	11011236	Pin For Lock Plate New Snack
29	11010464	Piastrina X Serratura New Snack
30	11013540	Plug
31	11010453	Supporto Terminale Estetico Inferiore 8S
32	11009127	Plate Fixing
33	11010463	Support For Lock Door New Snack
34	U143.021	Screw Special 4,8X9,5 Self Tap.
35	11013660	Supporto Serratura New Snack
36	11013659	Isolante Orizzontale Pannello Porta 8Sp
37	11012520	Pann.Estetico Sup.Porta New Snack 8S Sil
38	11013818	Led Diffuser
38	11031029	Vetrino Logo Saeco AtI700 White
39	11008639	Logo Saeco Glass Sg650
40	11022779	Plate For Micro Door New Snack Blk
41	11008622	Side Strip Aesthetic Silver
42	11010434	Insulator For Lower Aesthetic Panel 8S
43	11010454	Pannello Estet.Infer.Porta New Snack 8S
44	11008689	Profilo Estetico Inferiore Silver
45	11012142	Lock Rielda Mod.512

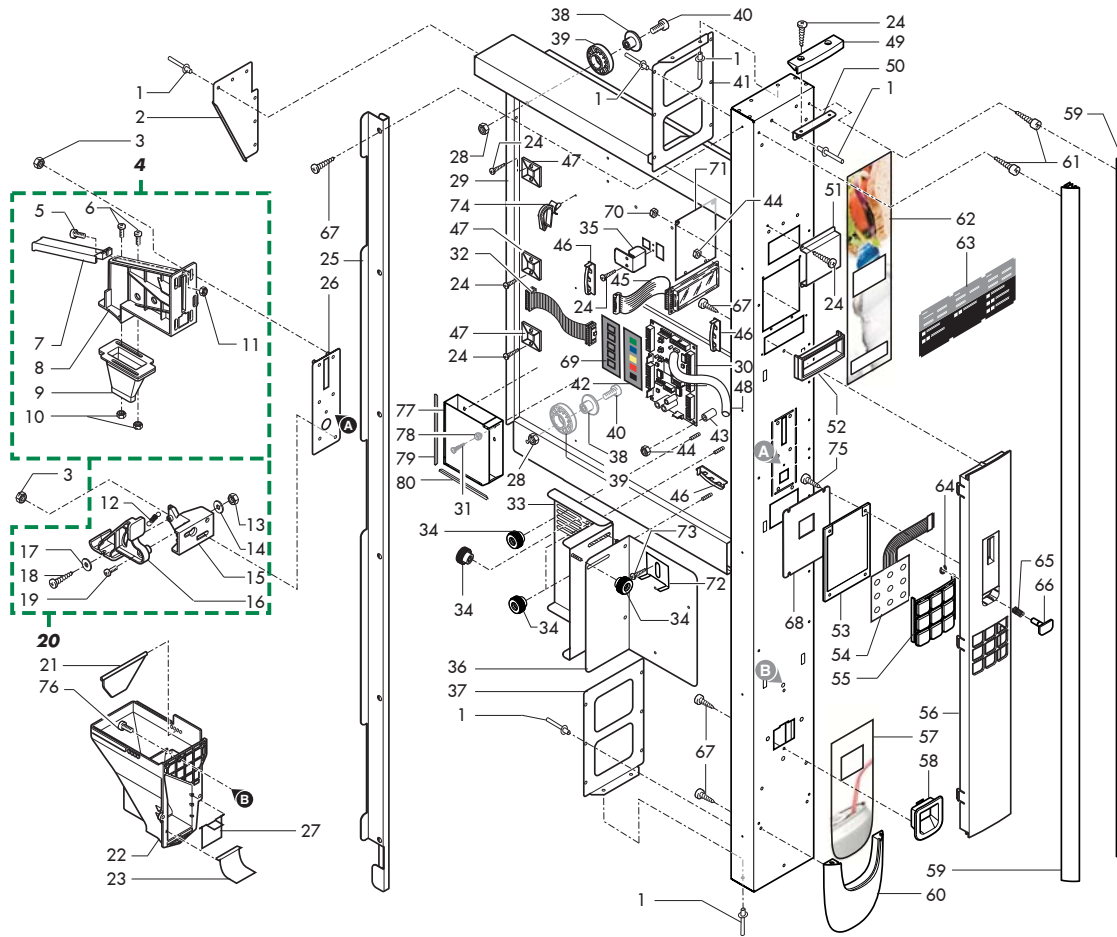
Pos. Code	Description	Note
46	NV02.243	Key Rielda Aj306A
47	NF11.061	Rivsert Rivet -Fre M4/020
48	NV01.008	Hood For Dispen.Compartment Spring
49	U116.006	Screw Aut.Pt Tcb 3,5X12 Wn 1441 Znp
50	U110.004	Screw Aut.Tcb 3,5X6,5 Din 7981 F
51	129670202	Tcb Panelvit Screw 3,5X16 Testa D=8 Snp
52	U302.004	Nut Hexagonal M6 Uni 5588
53	U208.006	Toothed Washer 6,4X11 Uni 3703
		from s.n. 9012NS80002173
		up to s.n. 9012NS80002172
		up to s.n. 9013NS80002242
		from s.n. 9013NS80002243
		up to s.n. 9013NS80002242



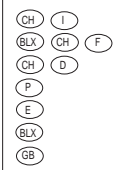
Pos.	Code	Description	Note
1	12001903	Lock Meroni 354	
2	11013582	Handle For Coin Case New Snack	
3	0701.R29	Key Ka 35	
4	NF11.026	Expansion Rivet D.3,9X8 Alu.	
5	11011665	Coin Box Hopfor	
6	11013580	Coforchio Cassa Monete New Snack 8S	
7	11031070	Lever For Lock	
8	11013558	Ass.Cassa Monete New Snack	
9	11013579	Ass.Cassa Monete New Snack 8S	
10	11010995	Griglia Condensatore New Snack	
11	WGADI7986-6X12I	Ss M 6X12 Screw (Din7985/Uni7687)	
12	187850400	Tripole Socket Self-Locking	
13	NE01.054	Cable With Plug En60320 C13	
14	NE01.051	Cable Switzerland With Plug En603	
15	NE01.050	Cable Schuko With Plug En60320 C1	
16	11010989	Card Cover New Snack Black	
17	U127.001	Screw Tapit.Tcb M3,0X6 Din 7500C	
18	12000962	Multigrip Rivets 4.8X11	
19	11010992	Trasformer Support New Snack	
20	11010991	Card Support New Snack	
21	12001211	Alimentatore Switching X New Snack	
22	U109.003	Screw Tcb 3,5X9,5 Din 7981 C Nick	
23	NE13.080	Power Relay	
24	11011777	As.Pwr+Sw Snack My08	
25	11029212	Card Protection Snack	
26	11013611	Isolante X Elettronica New Snack	
27	11010993	Electronic Card Vain New Snack Black	
28	NL04.014	Spacer Card H=9,5	
29	11012342	Harness Cover Back/Slot	
30	11011052	Ass.Cerniera Suforiore Saldata New Snack	
31	11010972	forno for Scorrimento Cerniera Sup.	
32	11011030	Rinforzo Cerniera Suforiore New Snack	
33	11010988	Support Vain Neon New Snack Black	
34	11010596	Ventola X New Snack	
35	11010755	Support Fan	
36	11013680	Separator Plate Insulator 8Sp	
37	U127.011	Screw Tapit.Tcb M5,0X8 Din 7500C	
38	U023.020	Screw Tcei M6X20 Uni 5931 Zin	
39	1602.147	Bush For Door Connecting Rod	
40	NE17.002	Adh.Cable Retai.Round Cable D=10Mm	
41	U043.006	Screw Tcbc M4,0X14 Uni 7687 Galv.	
42	11010481	Connector Support Drawer New Snack	
43	15001931	Adhesive Label	
44	0875.645	Air Temforature Probe	
45	11022104	Bush For Slot New Snack	
46	U110.007	Screw Aut.Tcb 2,9X16 Din 7981 F Znp	
47	128310404	Washer Uni 8842 A4 Burnished	
48	129824002	Tcb Screw M4X10 Uni 7687 Znp	
49	11010986	Carter For Micro New Snack Black	
50	NE05.039	Bipolar Microswitch	



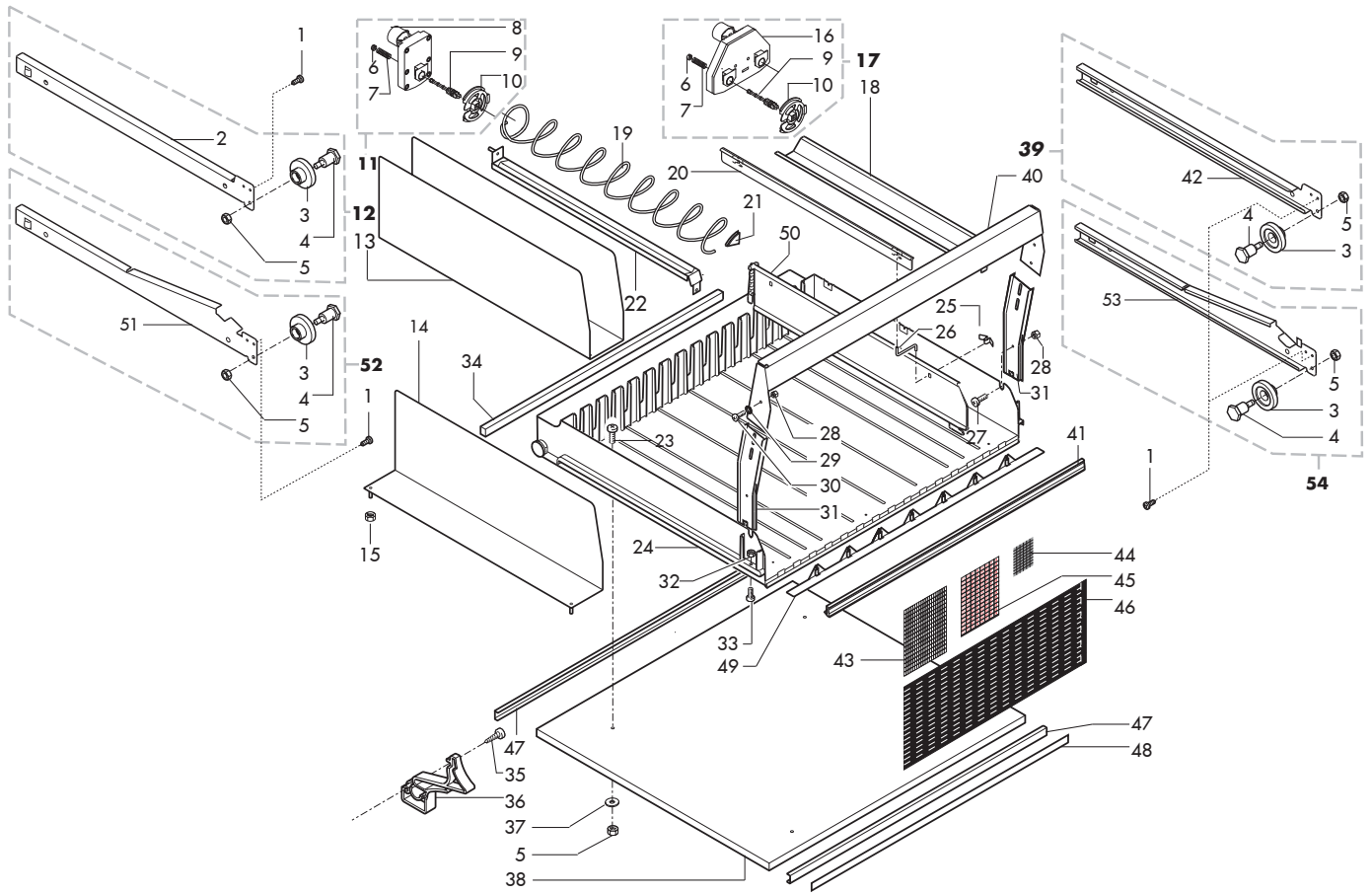
Pos.	Code	Description	Note
51	1602.170	Spacer For Door Micro	
52	11010987	Support For Door Micro New Snack	
53	U109.037	Screw Aut.Tcb 4,8X13 Din 7981 C	
54	NV01.002	Foot D.34 H.35 With Nut M10	
54	NV01.004	Foot D34 H54 With Nut M10 Rbs-19Bk-Acry	
55	11022292	Support Lower Hinge New Snack Blk	
56	11011710	Bush	
57	11008667	forno X Blocchetto Cerniera	
58	11010968	Rinforzo Cerniera Inferiore New Snack	
59	11010966	Cerniera Inferiore New Snack	
60	12001344	Screw Tsei M8X30 Uni 5933 Znp	
61	11025495	Left Guide Panel New Snack Short	
62	12001210	Lampada Neon Ministylo Msty128 T5 840	up to s.n. 9010NS80001237
63	11028132	Polystyrene X Card Vain	
64	11010990	Neon Cover New Snack	up to s.n. 9010NS80001237
65	11010994	Stop For Box New Snack	
66	U043.015	Screw Tcbc M5,0X12 Uni 7687 Galv.	
67	11011711	Guida Suforiore X Slot New Snack	
68	11011687	Ruota Esterna X Guida Slot	
69	11011688	Internal Bush	
70	11012324	Lower Guide For Slot New Snack	
71	U143.022	Screw T.M.T. K.F.R. 3,5X9,5 Znp	
72	11010797	Canale Aria Posteriore New Snack 8S	
73	11010505	Convogliatore Aria Inferiore	
74	11010997	Fascia Battiscopa New Snack Nera 8S	
75	11024567	Sheet Plate Skirting Band Ali/Cor Slave	Slave
76	11024539	Skirting Band Aliseo Slave Blk	Slave
77	11025117	Support Sheet Metal W/Master/Slave Blk	Slave
78	11024531	Back Plate Closed Master/Slave Blk	Slave
79	NE13.030	Molveno Bipolar Socket 08167600W	up to s.n. 9010NS80001237
80	11024206	Support Led Bar	from s.n. 9010NS80001238 up to s.n. 9011NS80001570
80	11025651	Right Internal Side New Snack Black	from s.n. 9011NS80001571 up to s.n. 9012NS80002172
80	11030435	Sheetmetal Vain Closed Led Ali/Cor H1830	from s.n. 9012NS80002173
81	11024093	Led Value Plus Lcm310 1200Mm Barrel	from s.n. 9010NS80001238 up to s.n. 9011NS80001570
81	11025650	Led Value Plus Lcm310 1200Mm Barrel	from s.n. 9011NS80001571 up to s.n. 9012NS80002172
82	12001532	Kit Fixing Led Lcm310 Mounting Set Shelf	from s.n. 9010NS80001238 up to s.n. 9012NS80002172
83	12001531	Power Supply Barrel Dvr20E	from s.n. 9010NS80001238 up to s.n. 9011NS80001509
84	NF11.022	Expansion Rivet D=2,8X8 Alu. Black	from s.n. 9010NS80001238
85	12000372	Clamp 10 Pole Eleco	from s.n. 9010NS80001238
86	NE03.038	Bipolar Switch Fusit C1250Ar	from s.n. 9010NS80001238
87	11025644	Sheet Metal Aliseo	from s.n. 9011NS80001571
88	NF11.015	Expansion Rivet D=2,8X8 Alu.	from s.n. 9011NS80001571
89	JI01.016	Aerstop Tape An12 2X40	



Pos.	Code	Description	Note	Pos.	Code	Description	Note
1	12000962	Multigrip Rivets 4.8X11		48	11022723	Flat Connector Touch Panel/Cpu	
2	11010680	Reinforcement Side X Slot		49	11012521	Terminale Estet.Sup.X Slot New Snack Sil	
3	U324.003	Nut M5 Flanged Indented Base		50	11011372	Support Aesthetic Terminal Upfor	
4	11011613	Coin Chute Ass.		51	11013721	Support Plate Instruction New Snack 8Sp	
5	U043.007	Screw Tcbc M3,0X8 Uni 7687 Galv.		52	11011810	Front Plate For Display New Snack	
6	U046.003	Screw Tcbd Torx 20 M4X12 Zn-B		53	11011156	Supp.Circuito Stamp.Tastiera New Snack	
7	11011663	Slide Cover Coin		54	11011155	Circuito Stampato X Tastiera New Snack	
8	11011616	Coin Chute		55	11013679	Tastiera New Snack Silver Serigrafata	
9	11011617	Coin Conveyor Adjustable		56	11011151	Pannello Estetico X Slot New Snack	
10	U302.003	Galv.Nut Hexagonal M4 Uni 5589 Zn		57	11011138	Plexiglas Inferiore X Slot New Snack	
11	U302.002	Nut Hexagonal M3 Uni 5588		58	11011152	Frame For Coin Recovery New Snack	
12	9111.397	Spring For Tray /Lever Coin Recove		59	11012523	Profilo Estetico X Slot Top Range Silver	
13	123453102	Galv.Self Lock Nut High M4 Din 982		60	11012522	Terminale Estet.Inf.X Slot New Snack Sil	
14	U201.005	Plain Washer 4,3X12 Din 7349 Gal		61	U143.021	Screw Special 4,8X9,5 Self Tap.	
15	11011619	Support Lever Coin Recovery		62	11011137	Plexiglas Suforiore X Slot New Snack	
16	11011660	Lever Coin Recovery		63	15001859	Instructions' Label Spiralfood 8Sp Ita	
17	U212.006	Washer 3,2X11X0,5 Znp		63	15001900	Instructions' Label Spiralfood 8Sp Fra	
18	U116.005	Screw Aut.Pt Tcb 3,0X8 Wn 1441		63	15001901	Instructions' Label Spiralfood 8Sp De	
19	129825002	Tcb Screw M4X20 Uni 7687 Znp		63	15001902	Instructions' Label Spiralfood 8Sp Por	
20	11011615	Lever Ass. Coin Recovery		63	15001903	Instructions' Label Spiralfood 8Sp Spa	
21	11011662	Adjustable Plate		63	15001904	Instructions' Label Spiralfood 8Sp NI	
22	11011661	Duct Coin Recovery		63	15001912	Instructions' Label Spiralfood 8Sp Eng	
23	9111.357.050	Coin Chute Bottom Black		64	U701.003	Snap Ring 7 Uni 7434	
24	U109.003	Screw Tcb 3,5X9,5 Din 7981 C Nick		65	9111.355	Spring For Change Button	
25	11012143	Lamiera X Chiusura Slot New Snack Nero		66	11013760	Pulsante Rendirestro New Snack Silver	
26	11012611	Ass.Blank Protection Coin Channel Atlant		67	U110.003	Screw Aut.Tcb 3,5X9,5 Din 7981 F	
27	11006845	Door Conducting Coins Grey		68	11027200	Sheet Metal Keyboard Aliseo	
28	U310.004	Nut Self Lock.M6 Uni 7473		69	15001895	Touch Panel Plate New Snack	
29	20006579	Space Parts For Slot New Snack 8Sp		70	U324.006	Nut M4 Flanged Indented Base	
30	11012104	Cpu+Sv As.Snack My08		71	11006390	Plate Closed Banknote Readers	
31	U109.011	Screw Aut.Tcb 3,9X9,5 Din 7981 C		72	9111.384	Coin Box Fixing Bracket	
32	11013675	Flat Cable 16 Poli L.400 Maschio/Femmina		73	U127.011	Screw Tapt.Tcb M5,0X8 Din 7500C	
33	11011136	Slide For Coin Box Support New Snack		74	NE17.013	Cable Retainer	
34	12002034	Knob With Bush M5		75	U109.023	Screw Aut.Tcb 4,2X9,5 Din 7981 C	
35	11010644	Stop X Slot		76	U043.015	Screw Tcbc M5,0X12 Uni 7687 Galv.	
36	11011134	Supporto Gettoniera New Snack		77	11026249	Container X Lower Slot Cor/Aliseo	
37	11012355	Lower Reinforcement Frontal Slot		78	11011054	Pin For Boss D.8	
38	11011688	Internal Bush		79	11026356	Profile Ges26F-A-C0 L.85 Mm	
39	11011687	Ruota Esterna X Guida Slot		80	11026359	Profile Ges26F-A-C0 L.300 Mm	
40	U023.020	Screw Tcei M6X20 Uni 5931 Zin					
41	11012354	Upfor Reinforcement Frontal Slot					
42	0875.741	Touch Panel					
43	12001284	Spacer For Card New Snack Ss10-02					
44	NF11.047	Nut M4 H.4,5 In Plastic					
45	192200400	20X2 Lcd White Display Fstn + Flat					
46	NE17.001	Adh.Cable Retain.Flat Cable L=30Mm					
47	148601300	Wire Clamp					

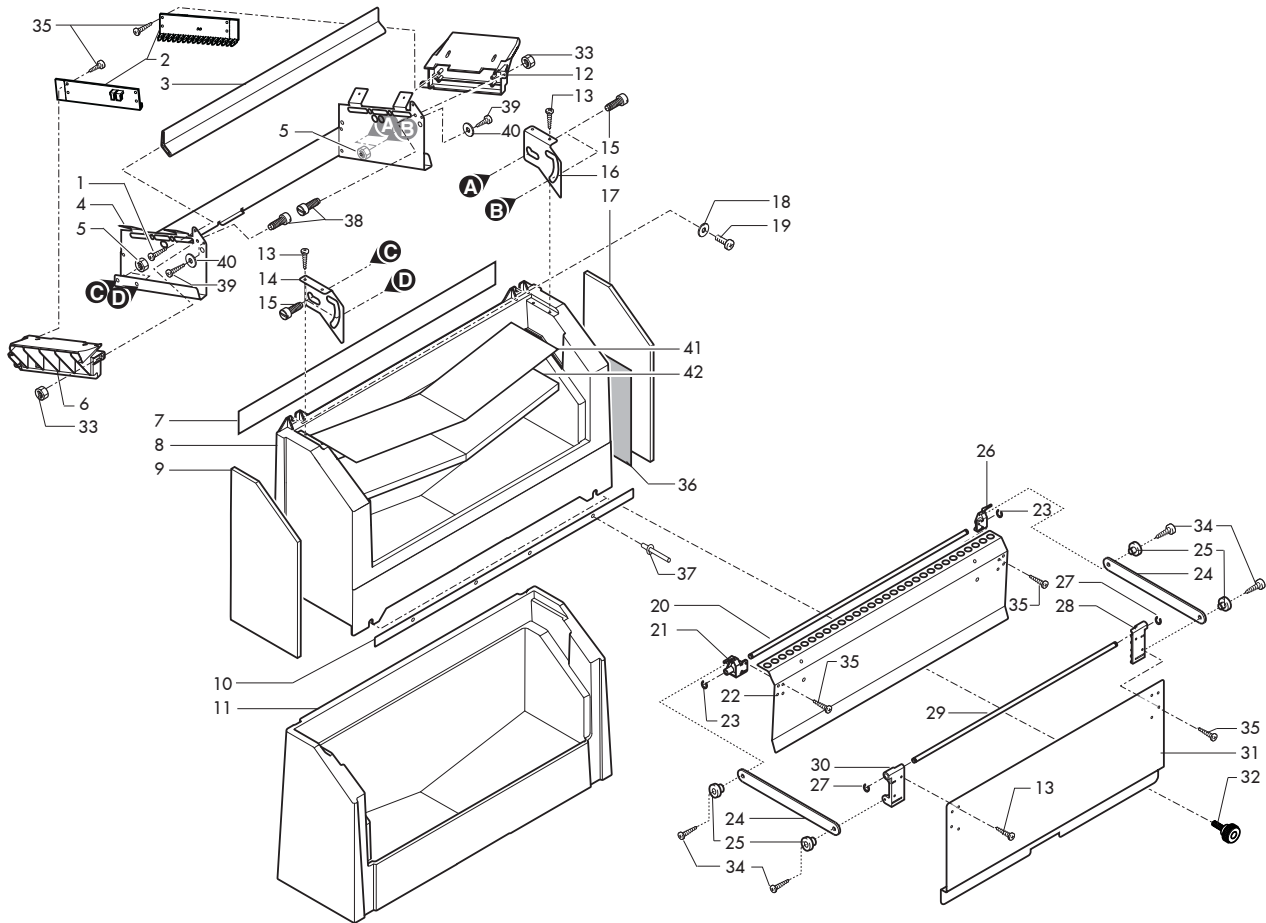


from s.n. 9010NS80001384



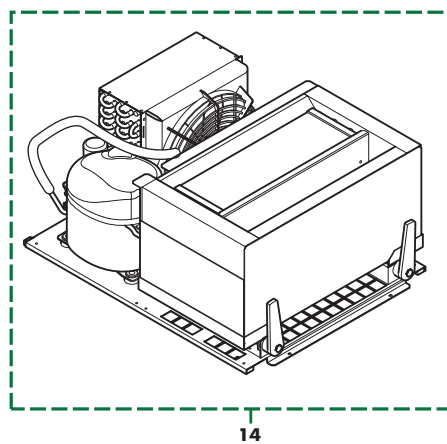
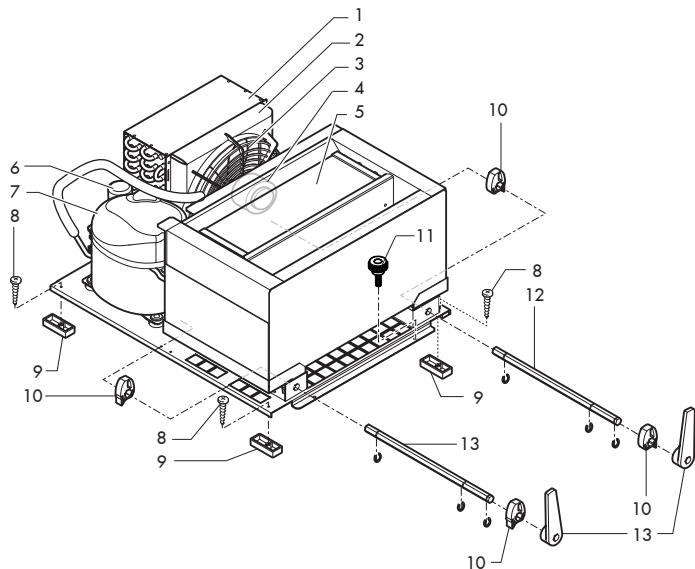
Pos. Code	Description	Note
1	U143.022 Screw T.M.T. K.F.R. 3,5X9,5 Znp	
2	9111.436.050 Left Std Guide In Sh.Metal For Cool	
3	9111.251.050 Wheel For Guide Black	
4	9111.271 Pin For Wheels	
5	U302.001 Nut Hexagonal M5 Uni 5588	
6	9111.250.050 Retainer For Spiral Motor Shaft Bl	
7	9111.504 Spring For Spirals Motor	
8	9121.192.00P Ratiomotor Single 24V	
9	9111.247.050 Shaft For Spirals Motor Black	
10	9111.248.050 Ring Nut For Left -Right Spiral Bl	
11	9120.030.00P Ratiomotor Ass.Fider Single 24V	
12	9110.081 Guide Ass.	
13	9111.484.050 Bottles Separator	
14	9111.490.050 Bottles Separator	
15	U324.006 Nut M4 Flanged Indented Base	
16	9121.193.00P Ratiomotor Double 24V	
17	9120.031.00P Ratiomotor Ass.Snack Double 24V	
18	9111.460.050 Sheet Metal Guide For Spirals	
19	11009444 Distrib. Spiral D.65 P60 Right	
19	11009445 Distrib. Spiral D.65 P60 Left	
19	9111.254.940 Spiral D.70 P 75 Right Chrome	
19	9111.275.940 Distrib. Spiral D.65 P35 Left Ch	
19	9111.276.940 Distrib. Spiral D.65 P24 Left Ch	
19	9111.277.940 Distrib. Spiral D.65 P45 Left Ch	
19	9111.278.940 Distrib. Spiral D.65 P75 Left Ch	
19	9111.279.940 Distrib. Spiral D.65 P35 Right C	
19	9111.280.940 Distrib. Spiral D.65 P24 Right C	
19	9111.281.940 Distrib. Spiral D.65 P 85 Right C	
19	9111.282.940 Distrib. Spiral D.65 P75 Right C	
19	9111.584.940 Distrib. Spiral D.65 P20 Right C	
19	9111.600.940 Distrib. Spiral D.65 P17	
19	9111.603.940 Spiral D.70 P 90 Right	
19	9111.604.940 Spiral D.65 P 40 Right	
19	9111.605.940 Spiral D.65 P 57 Right	
19	9111.608.940 Spiral D.65 P 85 Right	
19	9111.611.940 Spiral D.65 P 50 Right	
20	9111.440.050 Parallelogram In Plastics	
21	9111.292.050 Tongue For Spiral	
22	9111.461.050 Bridge For Bottles/Tins	
23	U043.026 Screw Tcbc M5,0X50 Uni 7687 Galv.	
24	9111.430.050 Products Drawer 8 Spirals	8 spirals
24	9111.444.050 Products Drawer 6 Spirals	6 spirals
25	9111.438 Sheet To Fix Supp.Parallelogram	
26	9111.439 Spring For Parallelogram	
27	U044.004 Screw Tspc M3,0X12 Uni 7688 Galv.	
28	U302.002 Nut Hexagonal M3 Uni 5588	
29	U201.001 Plain Washer 3,2X9 Din 7349 Galv.	

Pos. Code	Description	Note
30	U043.028 Screw Tcbc M3,0X10 Uni 7687 Galv.	
31	9111.432.050 Plastic Support For Contrast Rod	
32	U315.001 Nut Square M4 Uni 5596 Galv.	
33	129854021 Tsp Screw M4X8 Uni 7688 Ss	
34	11013661 Separator Insulator 6Sp	6 spirals
34	11013662 Separator Insulator 8Sp	8 spirals
35	U109.005 Screw Aut.Tcb 3,5X16 Din 7981 C	
36	11013114 Stop For Box New Snack	
37	U207.001 Plain Washer 5,3X10 Uni 6592 Gal	
38	11012314 Pannelo Isolante X Cassetto 8S	8 spirals up to s.n. 9010NS80001290
38	11012341 Pannelo Isolante X Cassetto 6S	6 spirals up to s.n. 9010NS60001354
39	9110.082 Guide Ass.	
40	9111.479.050 Bottles Contrast Rod 8Sp Black	8 spirals
40	9111.480.050 Bottles Contrast Rod 6Sp Black	6 spirals
41	11013992 Label Holder Profile	8 spirals
41	9111.458.050 Alu.Strip For Labels 6S	6 spirals
42	9111.442.050 Right Std Guide In Sh.Metal For Coo	
43	1602.983 Price Data Plate	
44	1602.986 Accepted Coins Sticker Euro	
45	15002720 Label For Spiral	Slave
45	1602.984 Label For Spiral	
46	1602.953 Price Data Plate	
47	11013730 Front Cover	8 spirals up to s.n. 9010NS80001290
47	11013731 Front Cover	6 spirals up to s.n. 9010NS60001354
48	11021741 Adhesive Label	up to s.n. 9010NS80001290 for Aliseo or up to s.n. 9010NS60001354 for Corallo
49	9111.557 Separators For Reinforcement	
49	9111.585 Separators For Reinforcement 6 File	
50	9111.431.050 Divider For Products Drawer	
51	9111.443.050 Left Inclined Guide In Sh.Met. For	
52	9110.089 Guide Ass.	
53	9111.437.050 Right Inclined Guide In Sh.Met.For	
54	9110.090 Guide Ass.	



Pos. Code	Description	Note	
1	U109.003	Screw Tcb 3,5X9,5 Din 7981 C Nick	
2	1602.A29	Ass.Photoelectric Cell	
3	11010502	Handle For Vain Rotation Product 8S	8 spirals
3	11011083	Handle For Vain Rotation Product 6S	6 spirals
4	11012145	Telaio Casset.Rec.Prod.New Snack 6S Nero	6 spirals
4	11012146	Telaio Casset.Rec.Prod.New Snack 8S Nero	8 spirals
5	U302.004	Nut Hexagonal M6 Uni 5588	
6	11010537	Supporto Fotocellule Sx New Snack	
7	11013661	Separator Insulator 6Sp	8 spirals
7	11013662	Separator Insulator 8Sp	6 spirals
8	11010503	Product Recovery Drawer New Snack 8S	8 spirals
8	11011084	Product Recovery Drawer New Snack 6S	6 spirals
9	11013667	Left Side Insulator For Recovery Box	
10	11011041	Plate For Seal Product Recovery Drawer	8 spirals
10	11011079	Plate For Seal Product Recovery Drawer	6 spirals
11	11010504	Isolator For Drawer Product Recovery 8S	8 spirals
11	11011085	Isolator For Drawer Product Recovery 6S	6 spirals
12	11010536	Supporto Fotocellule Dx New Snack	
13	U109.016	Screw Aut.Tcb 3,9X13 Din 7981 C	
14	11012148	Rinf.Sx X Rotaz.Vano Rec.Prod.Nero	
15	U023.004	Screw Tcei M6,0X12 Uni 5931 Galv.	
16	11012147	Rinf.Dx X Rotaz.Vano Rec.Prod.Nero	
17	11013668	Right Side Insulator For Recovery Box	
18	U207.013	Plain Washer 6.5X18 Uni 6592 Galv	
19	U043.014	Screw Tcbc M5,0X20 Uni 7687 Galv.	
20	11010540	Door Rotation Pin 8S	8 spirals
20	11011075	Door Rotation Pin 6S	6 spirals
21	1602.205.050	Support Dx Door	
22	11010543	Protection Door For Product Recovery 8S	8 spirals
22	11011077	Protection Door For Product Recovery 6S	6 spirals
23	U701.011	Steel Snap Ring 5 Uni 7434	
24	1602.105	Door Connecting Rod	
25	1602.147	Bush For Door Connecting Rod	
26	1602.215.050	Support Sx Door	
27	U701.003	Snap Ring 7 Uni 7434	
28	1602.204.050	Support Dx Door Push	
29	11010539	Anterior Door Rotation Pin 8S	8 spirals
29	11011074	Anterior Door Rotation Pin 6S	6 spirals
30	1602.203.050	Support Sx Door Push	
31	11010542	Front Door For Products Recovery 8S	8 spirals
31	11011076	Front Door For Products Recovery 6S	6 spirals
32	12002031	Knob D.18 M5X15	
33	123453102	Galv.Self Lock Nut High M4 Din 982	
34	U116.006	Screw Aut.Pt Tcb 3,5X12 Wn 1441 Znp	
35	U110.003	Screw Aut.Tcb 3,5X9,5 Din 7981 F	
36	JI01.011	Adh. Tape Fabric Finish Black L.50	8 spirals
37	NF11.022	Expansion Rivet D=2,8X8 Alu. Black	

Pos. Code	Description	Note	
38	129824002	Tcb Screw M4X10 Uni 7687 Znp	
39	U109.012	Screw Aut.Tcb 3,9X19 Din 7981 C	
40	128310421	Washer Uni 8842 A4 Ss	
41	11024073	Sheet Product Vain Corallo	6 spirals
41	11024075	Sheet Product Vain Aliseo	8 spirals
42	11024076	Insulator Product Vain Corallo	6 spirals
42	11024077	Insulator Product Vain Aliseo	8 spirals



Pos. Code	Description	Note	Pos. Code	Description	Note
1	20006686 Capacitor 1050240F70 Newsnack				
2	20006684 Conveyor Cg230 New Snack				
3	20006682 Fan Ao230-28 New Snack				
4	20006683 Fan Fmi Aa7707710X New Snack				
5	20006685 Evaporator 0660340N00 New Snack				
6	20006681 Capacitor 55310230 Newsnack				
7	20006680 Compressor Nek6210Gk-A-Csir New Snack				
8	U109.003 Screw Tcb 3,5X9,5 Din 7981 C Nick				
9	11012345 Slider For Refrigerator Unit New Snack				
10	11012344 Cam For Refrigerator New Snack				
11	12002031 Knob D.18 M5X15				
12	11012347 Hexagonal Rod Refrigerator Unit				
13	11012346 Handle For Refrigerator New Snack				
14	11012318 Fridge Unit Ass.230V X New Snack				
14	11030945 Fridge Unit 230/60 Bra				